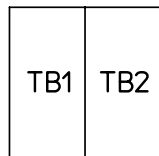
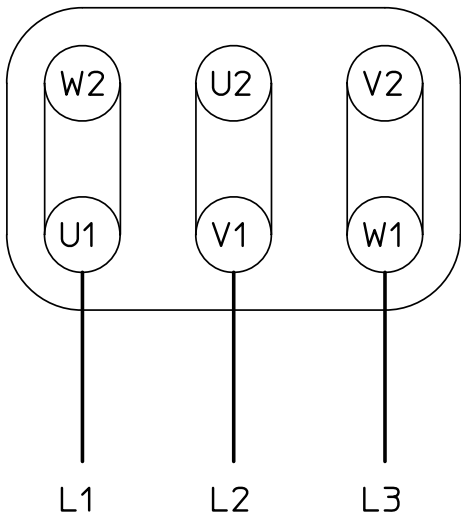
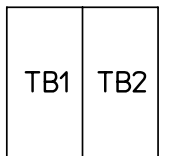
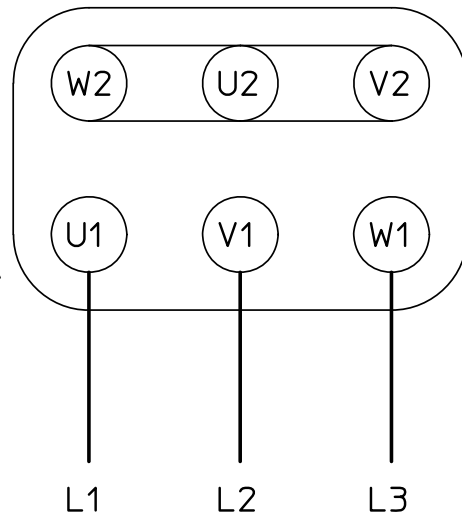


# KEB

3~  $\Delta$  /  $\star$  TS



max. 250VAC/1A



max. 250VAC/1A

