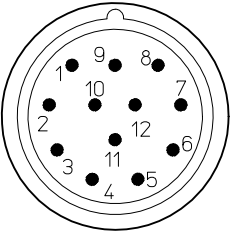
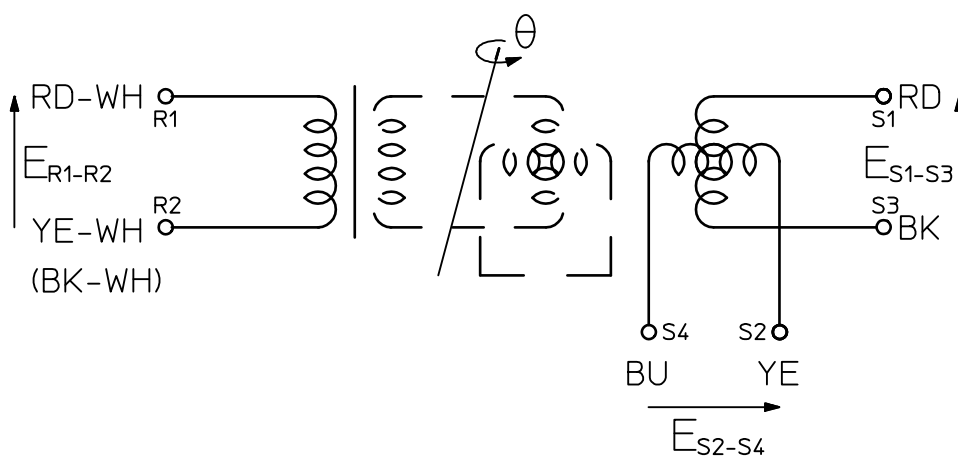


Resolver

 M23 12 Poles	Pin	Wire TAMAGAWA	Wire HAROWE	Wire LTN TE	Signal
	1	BU	BU	YE	/sin
2	RD	RD	RD	/cos	
5	WH-RD	WH-RD	WH-RD	/sin-ref	
7	WH-YE	WH-BK	WH-BK	sin-ref	
10	YE	YE	BU	sin	
11	BK	BK	BK	cos	



PRIMARY

SECONDARY

DC-Resistance:

RR1-R2=ca. 50Ω

RSx-Sx=ca. 100Ω

Transformation ratio: 0.5

Phase shift: $\Phi = 0^\circ$ ref

Supply: approx. 7V/10KHz