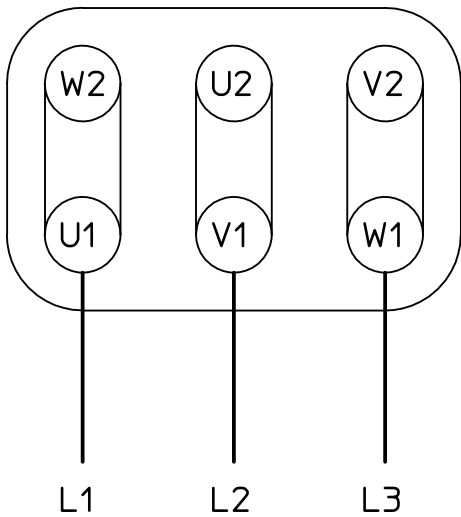


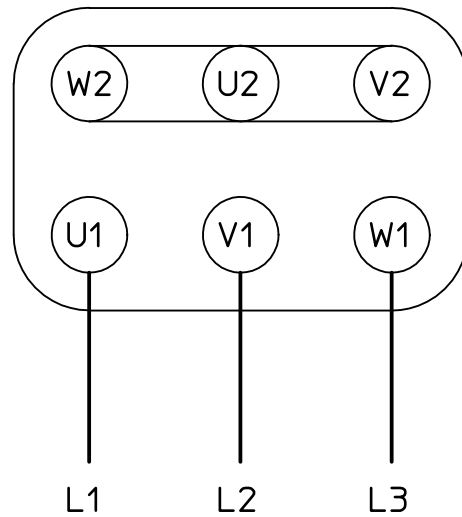
# KEB

3~  $\Delta / \text{Y}$  PT1000



TP1	TP2
RD	WH

max. 0,3mA



TP1	TP2
RD	WH

max. 0,3mA

