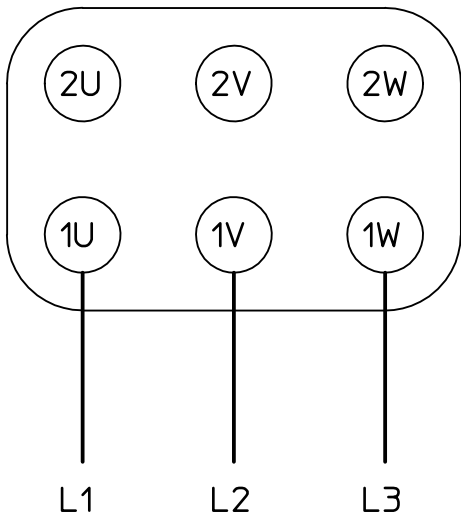


# KEB

3~  $\Delta$  /  $\text{Y}$  PT1000

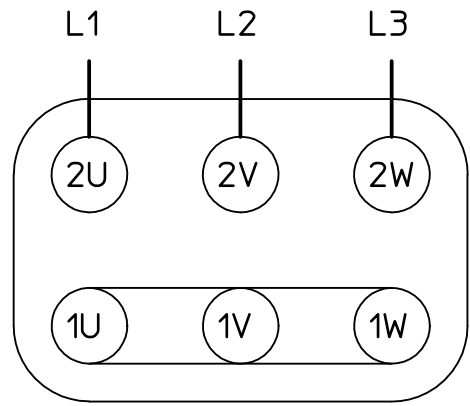
$\Delta$  L

$\text{Y}$  H



TP1	TP2
RD	WH

max. 0,3mA



TP1	TP2
RD	WH

max. 0,3mA

